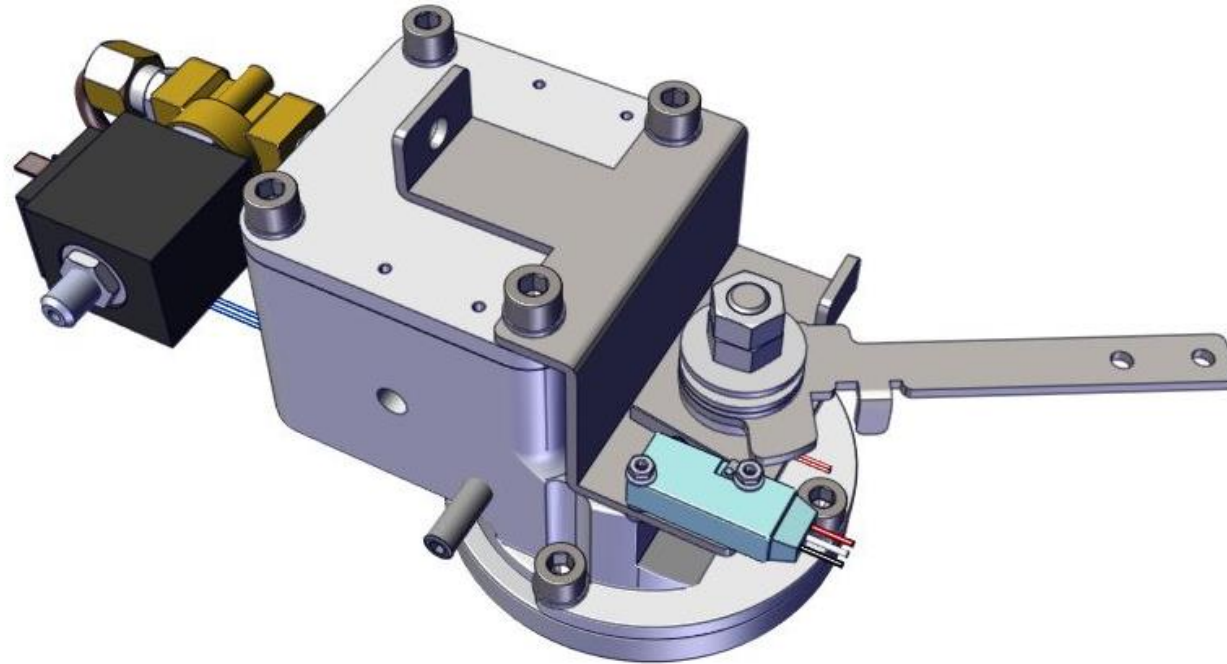
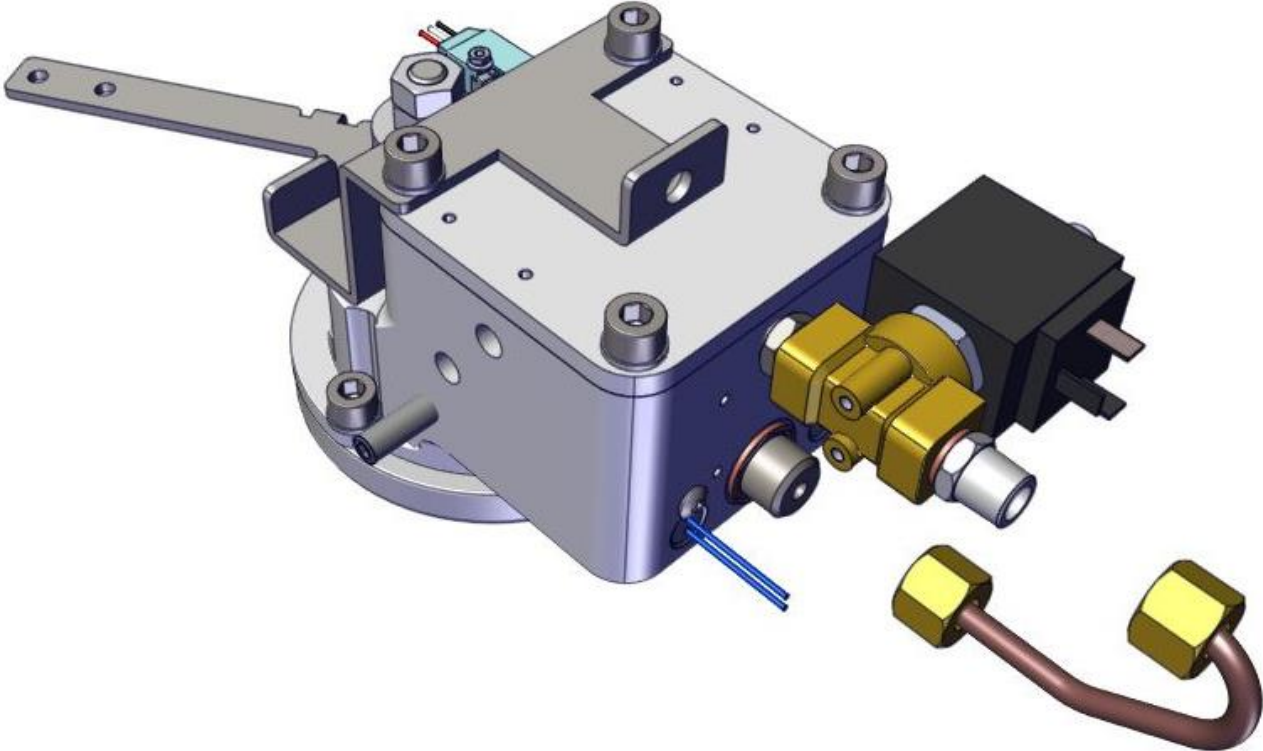


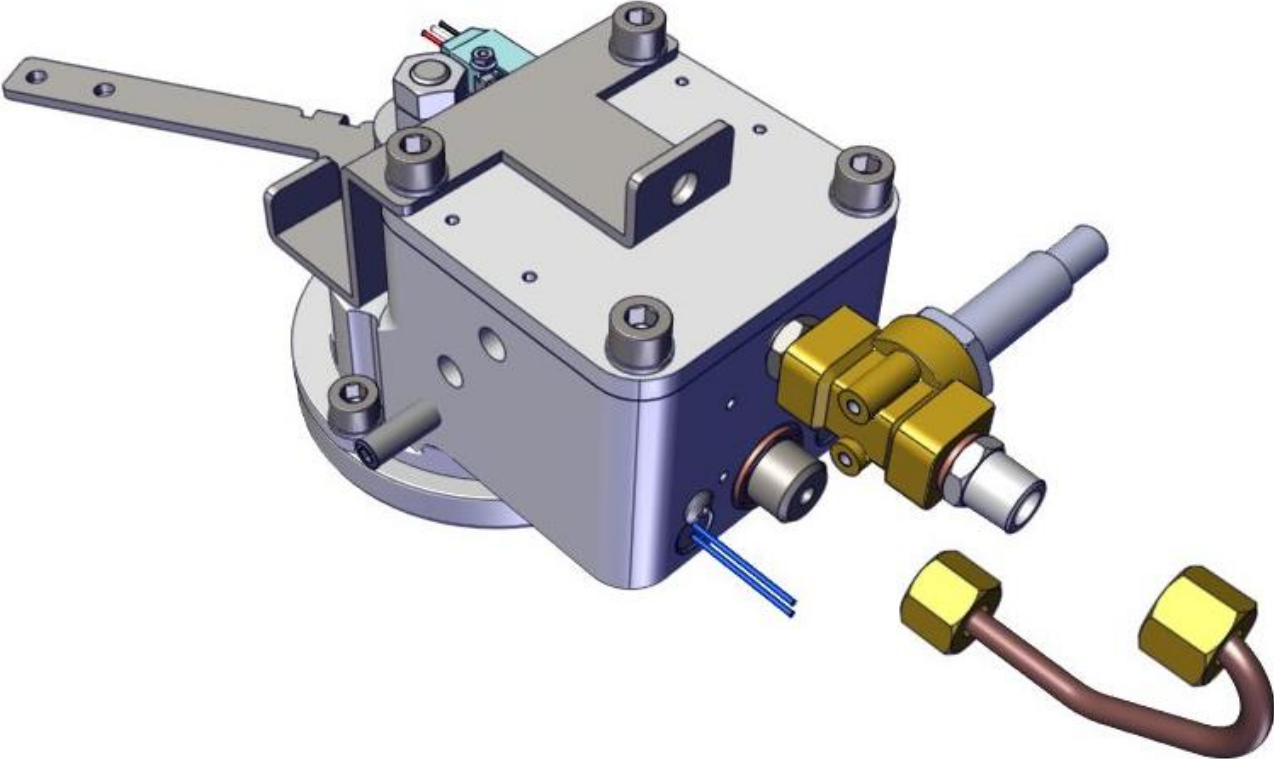
How to correctly disassemble the solenoid valve from the linea mini brew boiler.



Remove the copper tube.



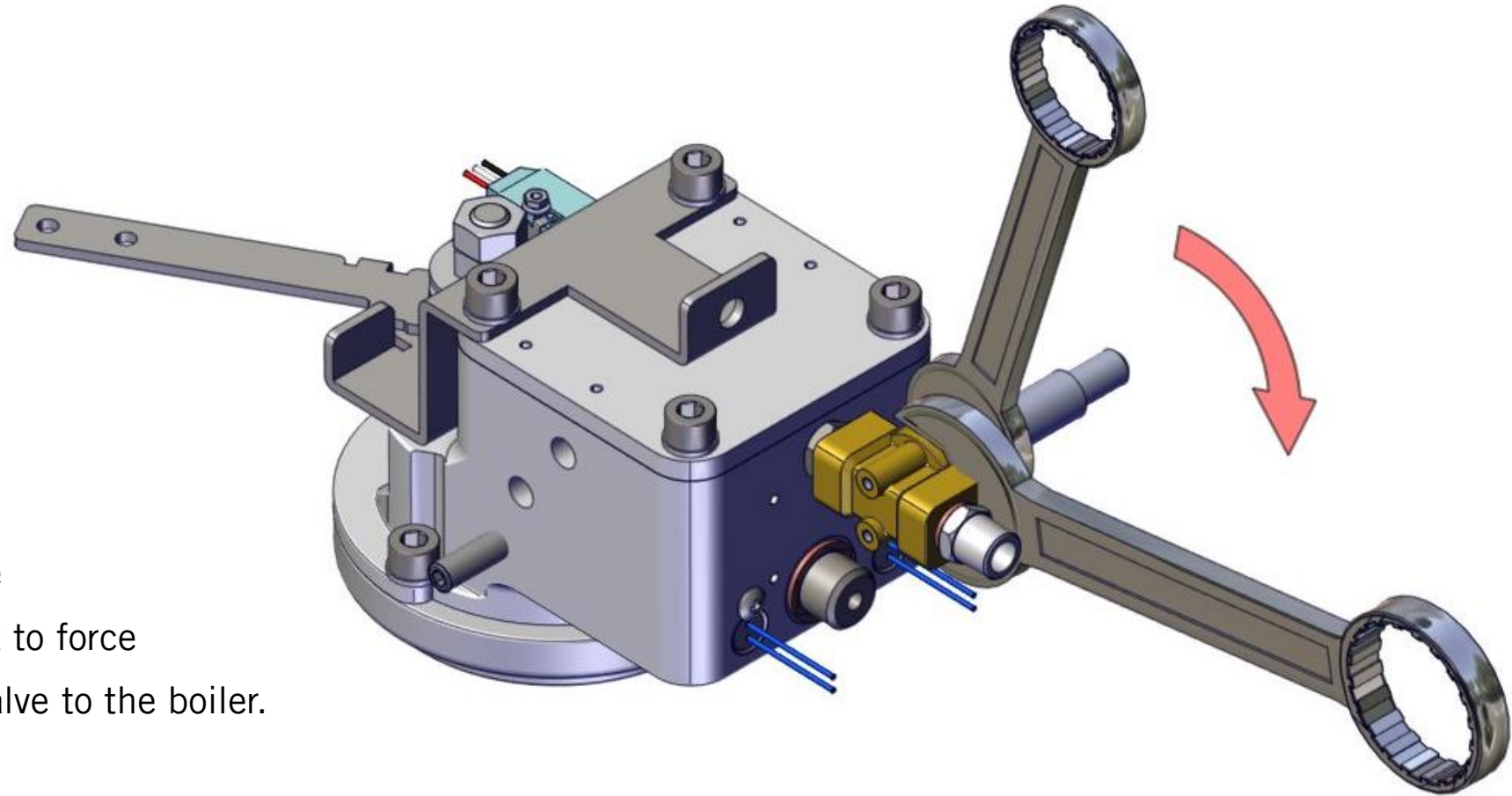
Remove the solenoid.



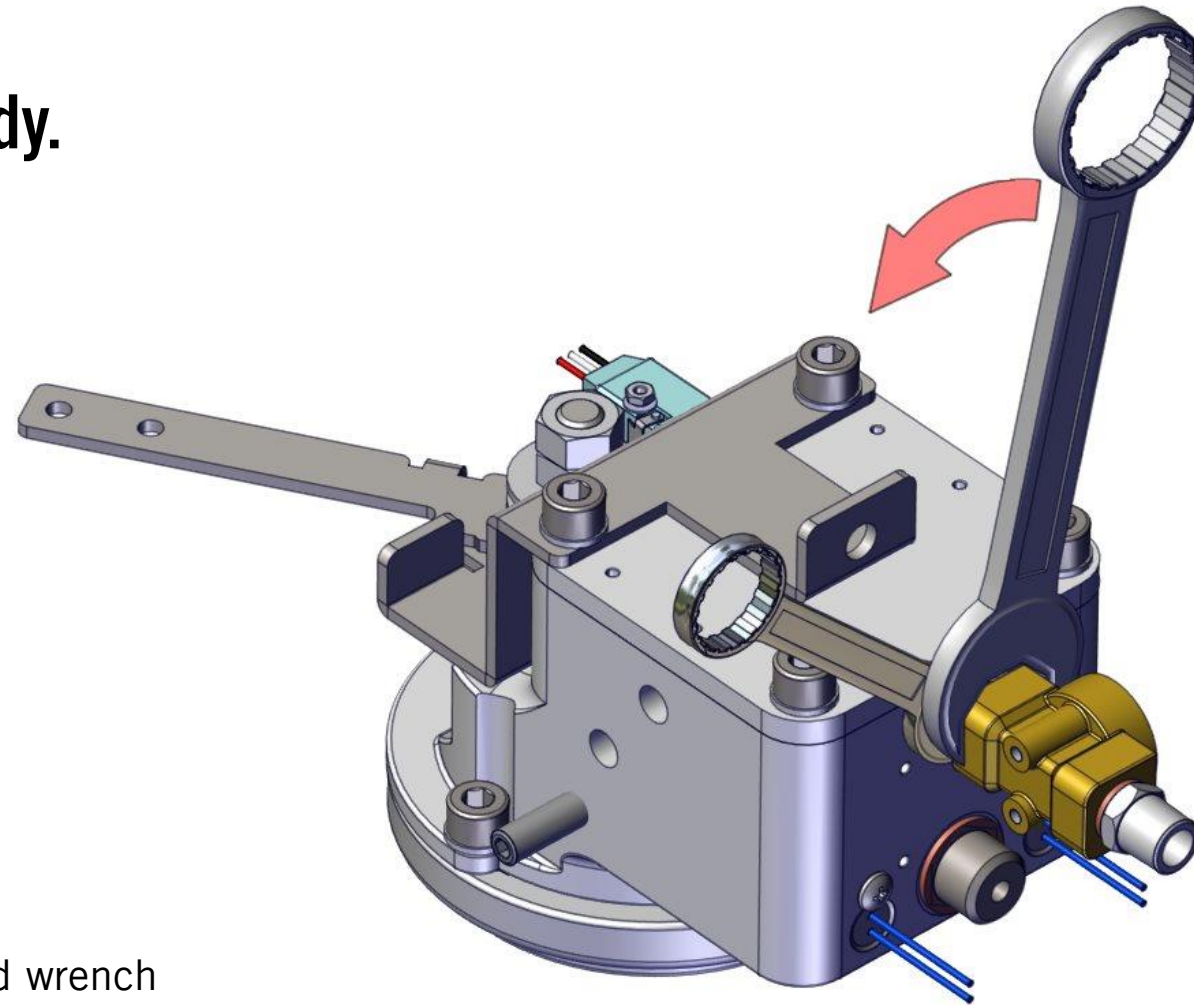
Remove the valve's cap.

Use a second wrench to hold the valve's body paying attention not to force the fitting which connects the valve to the boiler.

ATTENTION: without holding the valve the fitting may break inside the boiler.



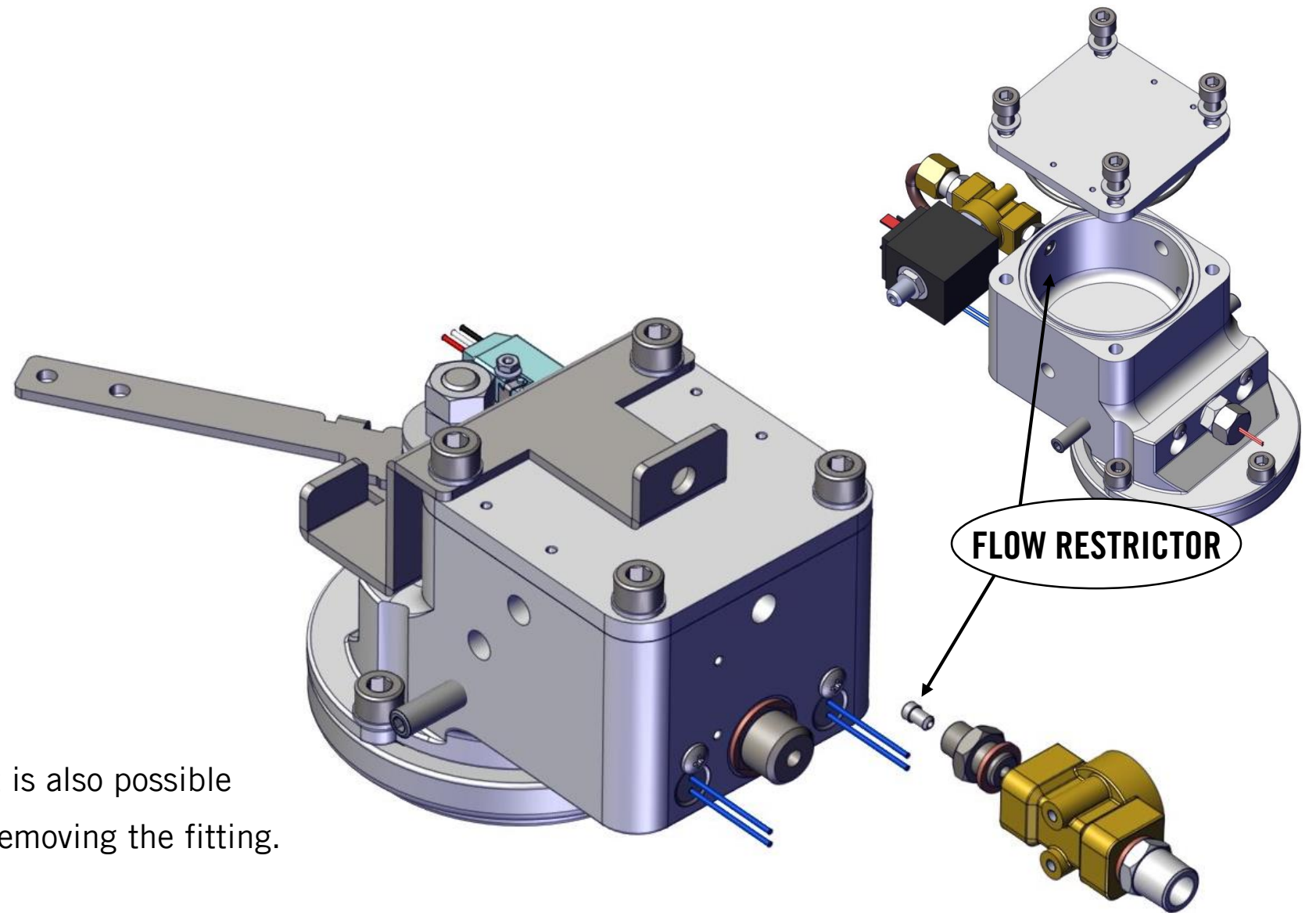
Remove the valve's body.



Unscrew the valve using a second wrench to hold the fitting, paying attention not to force it.



Done!



Once you've removed the valve it is also possible to remove the flow restrictor by removing the fitting.

However, it is advisable to get to the flow restrictor from the top, as shown in the picture.



LA MARZOCCO



AFTER SALES
THE FINEST FROM FLORENCE



EST. 1927

